

FLASHDOWN FASCIA

NON-PENETRATING, CONCEALED FASTENER, SNAP-ON FASCIA ANSI/SPRI/FM 4435/ES-1 CERTIFIED

OVERVIEW:

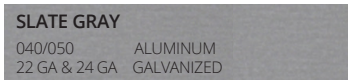
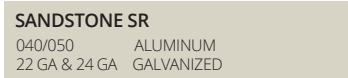
LITSCO's Flashdown Fascia system is a snap-on edge metal system, ANSI/SPRI/FM 4435/ES-1 Certified, with spring cleat. It provides faster installation times than traditional "continuous cleat" gravel stops. Due to its non-penetrating design, this system is compatible with all roof systems: EPDM, TPO, PVC, SBS, and liquid membranes.

► MATERIALS: **Actual colors may vary from this representation*

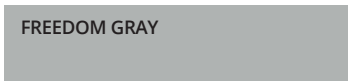
KYNAR PAINTED ALUMINUM (AL) .040" & .050" OR GALVANIZED (GL) 22 GA & 24 GA

2 Coat Kynar Finish is Standard. A full list of all standard, premium colors, 3 coat, and custom colors is available upon request. Finish warranties of 20 years available.

**Popular colors listed, Additional Colors may be available*



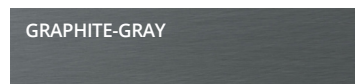
COPPER (CP) 16 OZ, 20 OZ



STAINLESS STEEL (SS) 24 GA



RHEINZINK-PATINA ZINC (ZN) 0.8 MM & 1.0 MM



► FEATURES:

Fabricated in standard 10ft lengths. Kynar Aluminum painted sheets may be eligible for 20 year paint finish warranty.

Easy snap-on installation with all concealed fastening

Meets Factory Mutual I-150 classification

Face-only fastening ties down roof system edge without stripping in flashing

Stainless steel anchor cleat can be installed first to stage roof construction

Standard face sizes: 4-3/4", 6-3/4" or 9"

Face extenders, custom miters and profiles available.

▶ INSTALLATION:

ANCHOR CLEAT:

Continuous anchor required 1 splice plate per 8ft length.

FASTENERS:

Appropriate fasteners for substrate. Two rows of fasteners to be installed 12" O.C.

FASCIA COVER:

Snap on cover, install 1 splice plate per length of cover.

MITERS:

Standard folded corner unit miter.
Caulk and rivet in field.

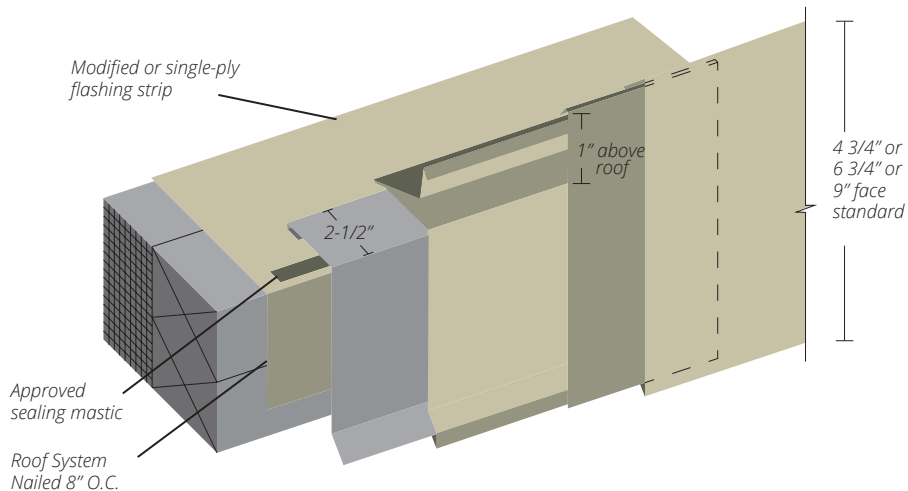
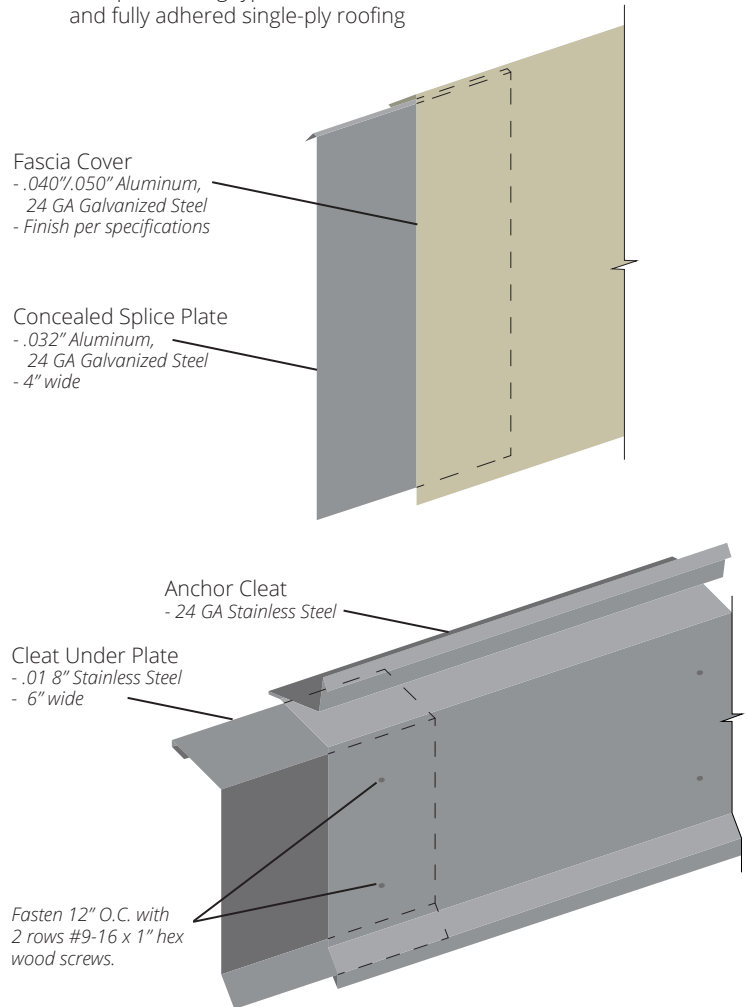
Welded corners available upon request.

TRIM:

All flashing and trim will be fabricated by LITSCO or a qualified fabricator. Flashing shall be in aluminum or galvanized steel to match the coping cover.

**Always follow manufacturer's guidelines for proper storage and handling prior to install.*

Non-penetrating type for modified and fully adhered single-ply roofing



LITSCO

LONG ISLAND TINSMITH SUPPLY CORP.



EST.
1918

WWW.LITSCO.COM

76-11 88TH STREET, GLENDALE, N.Y. 11385

PHONE: 718.846.0400 | FAX: 718.846.7803