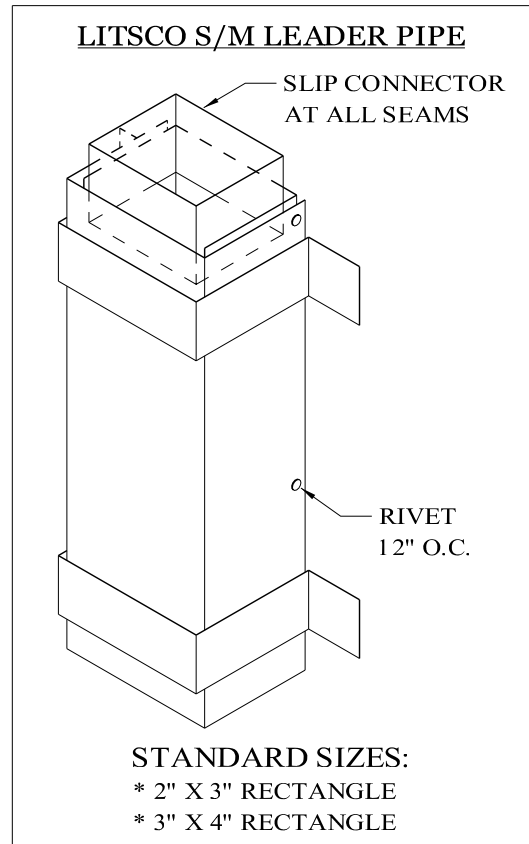
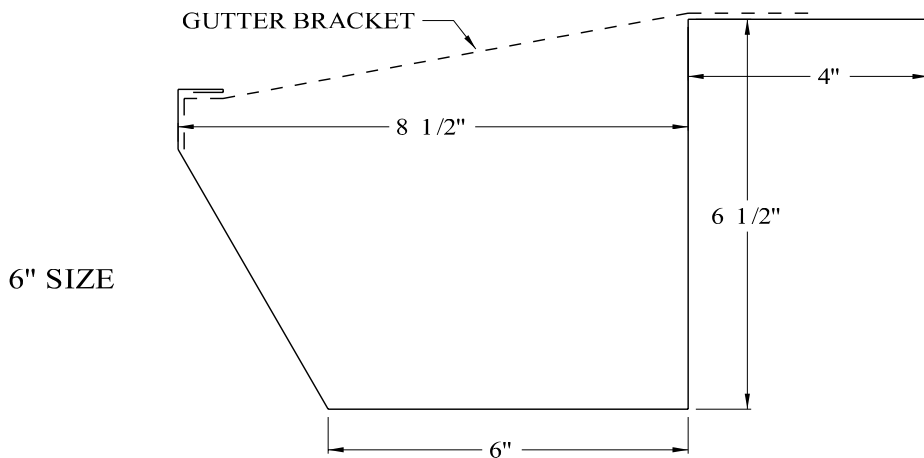
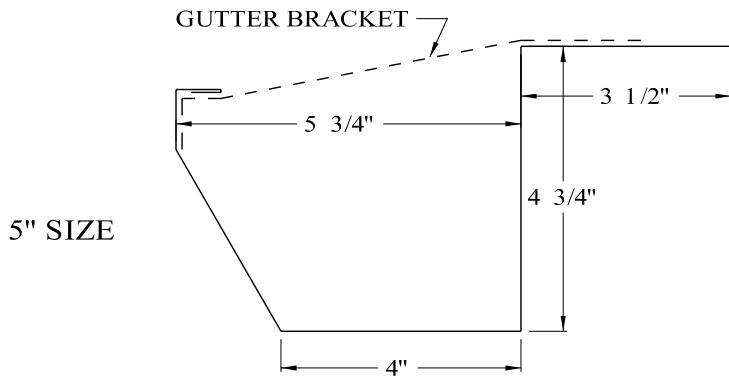
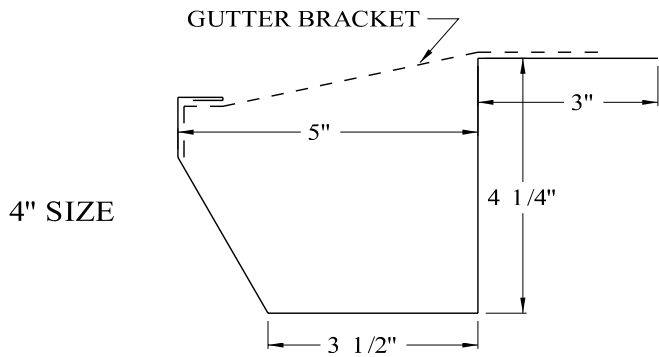


LITSCO STANDARD BOX GUTTERS



MATERIAL AVAILABILITY:

- * .032" / .040" / .050" ALUMINUM
PAINTED FINISHES PER SPECIFICATIONS.
- * 24 ga / 22 ga GALVALUME
PAINTED FINISHES PER SPECIFICATIONS.
- * 16 oz / 20 oz COPPER
- * 26 ga / 24 ga STAINLESS STEEL

LITSCO

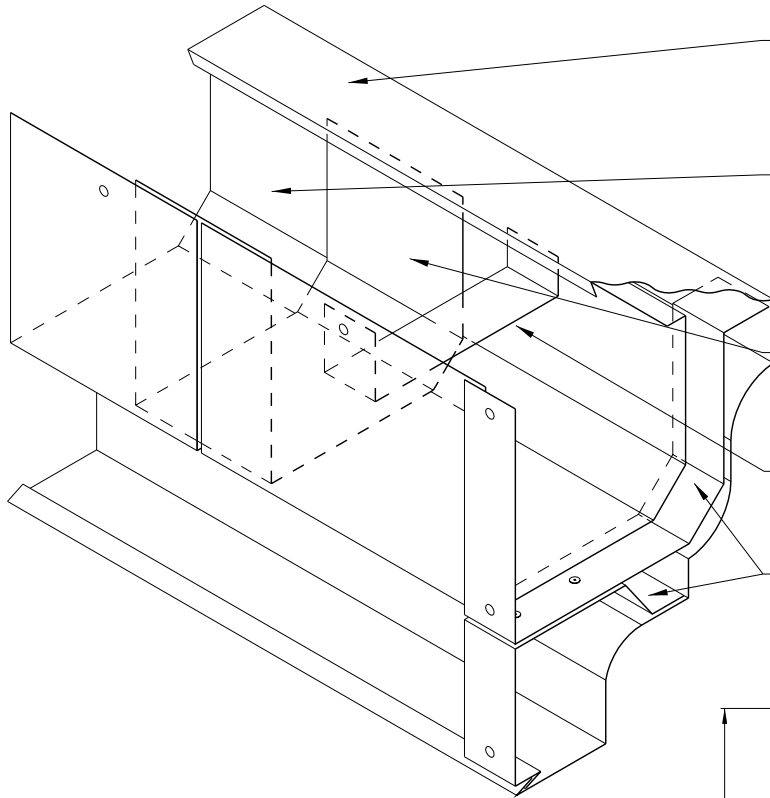
LONG ISLAND TINSMITH SUPPLY CORP.

EST. 1918
 76-11 88th STREET, GLENDALE, N.Y. 11385

(718) 846-0400 FAX (718) 846-7803

WWW.LITSCO.COM

LITSCO HEAVY DUTY DESIGNER GUTTERS



EXPOSED DESIGNER COVER

* FINISH PER SPECIFICATIONS.
* SEE BELOW.

INTERIOR GUTTER

* 20 ga. GALVANIZED STEEL /
*.050" ALUMINUM STANDARD
* FASTENED TO FASCIA 12" O.C.

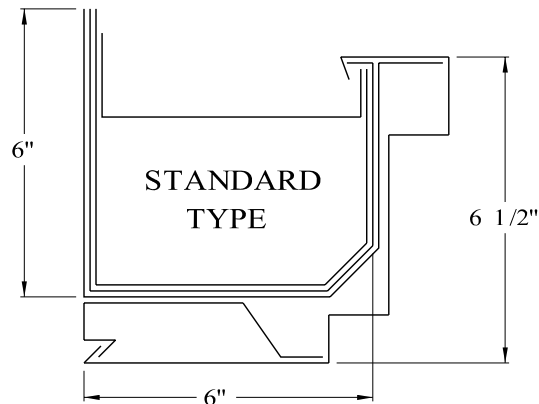
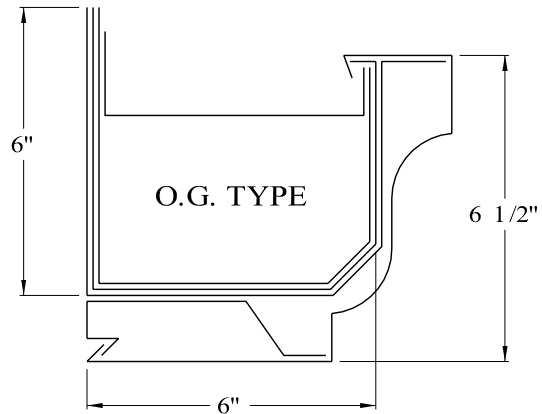
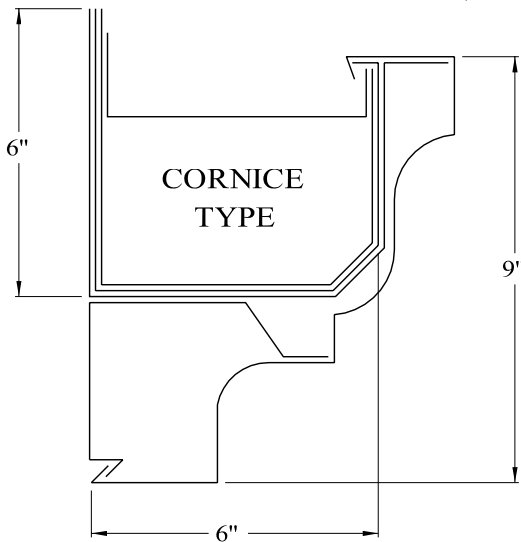
**CONCEALED GUTTER
SPLICE PLATE**

GUTTER SPACER

* 32 oz. COPPER / .080" ALUMINUM

BRACKET

* 1/8" THICK X 1.5" WIDE ALUMINUM
* INSTALLED 2'-0" O.C.
* PRE-PUNCHED



COVER MATERIAL AVAILABILITY:

- * .032" / .040" KYNAR PTD. ALUMINUM
- * 24 ga KYNAR PTD. GALVANIZED
- * 16 oz / 20 oz COLD ROLLED COPPER
- * 16 oz / 20 oz LEAD COATED COPPER
- * 26 ga STAINLESS STEEL
- * .8mm / 1mm PRE-WEATHERED ZINC

NOTE:

FOR LEADER PIPE INFORMATION SEE
SEPARATE SPECIFICATION SHEET
FOR STANDARD BOX GUTTERS.

LITSCO

LONG ISLAND TINSMITH SUPPLY CORP.



76-11 88th STREET, GLENDALE, N.Y. 11385

(718) 846-0400 FAX (718) 846-7803

WWW.LITSCO.COM