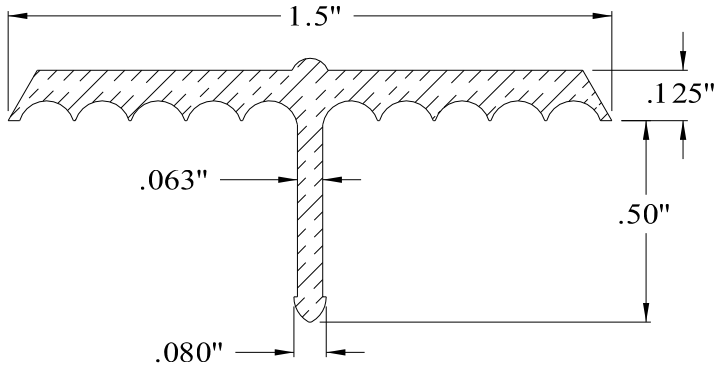
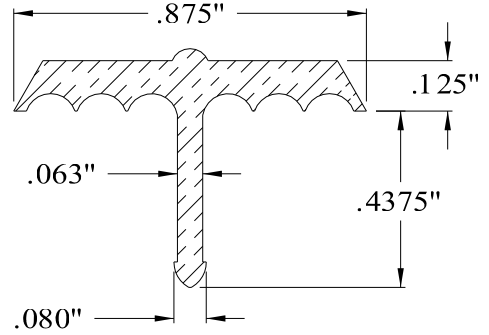


# JOINT-TIGHT EXTRUDED LEAD "TEE"

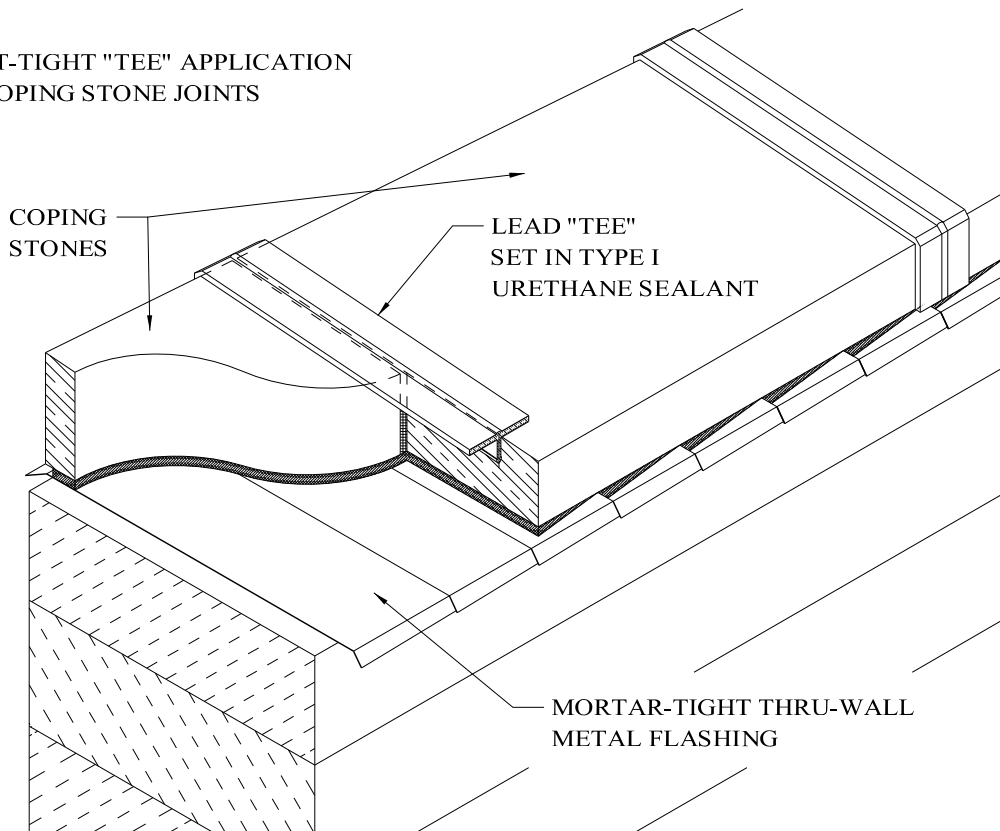
1 1/2" COPING STONE  
JOINT COVER



7/8" COPING STONE  
JOINT COVER



JOINT-TIGHT "TEE" APPLICATION  
AT COPING STONE JOINTS



**SPECIFICATIONS:**

- \* AVAILABLE IN TWO SIZES (7/8", 1 1/2").
- \* HIGH PURITY GRADE LEAD.
- \* AVAILABLE IN 6 FOOT LENGTHS.
- \* MEETS FEDERAL SPECIFICATION: QQ-L-171 GRADE B.

**LITSCO**

LONG ISLAND TINSMITH SUPPLY CORP.

EST. 1918

76-11 88th STREET, GLENDALE, N.Y. 11385

(718) 846-0400 FAX (718) 846-7803

**WWW.LITSCO.COM**