

# GARD-N-EDGE

## HEAVY DUTY GREEN ROOF EDGE RETENTION

### OVERVIEW:

LITSCO's Gard-N-Edge is the ideal solution for garden roof projects where transition and soil retention is needed between the vegetation and hardscapes such as conventional roofing systems or pavers.

### ► MATERIALS: *\*Actual colors may vary from this representation*

#### KYNAR PAINTED ALUMINUM (AL) .063" / .080" / .125"

2 Coat Kynar Finish is Standard. A full list of all standard, premium colors, 3 coat, and custom colors is available upon request. Finish warranties of 20 years available. *\*Finish per specification*

*\*Popular colors listed, Additional Colors may be available*

SANDSTONE SR	DARK BRONZE	MATTE BLACK
BONE WHITE SR	SILVER METALLIC	CHARCOAL

#### COPPER (CP)

20 OZ

COLD RED ROLLED 20 OZ	FREEDOM GRAY 20 OZ
--------------------------	-----------------------

#### STAINLESS STEEL (SS)

22 GA / 20 GA

*\*Finish per specification*

#### RHEINZINK-PATINA ZINC

1.0 MM

	BLUE-GRAY	GRAPHITE-GRAY
--	-----------	---------------

## ► FEATURES:

Fabricated in 10ft lengths with:

- Integrated Splice Plate means *No additional pieces, Improves installation times.*
- Cut-Tab Corners allow for minor adjustments at corners. Just set and rivet to keep in place
- Custom miters and profiles available.
- Drainage Outlets 3/8" wide x 1" high, spaced 1" O.C. to provide maximum drainage beneath the vegetative roof system.
- Height of slots accounts for the thickness of most drainage mats.

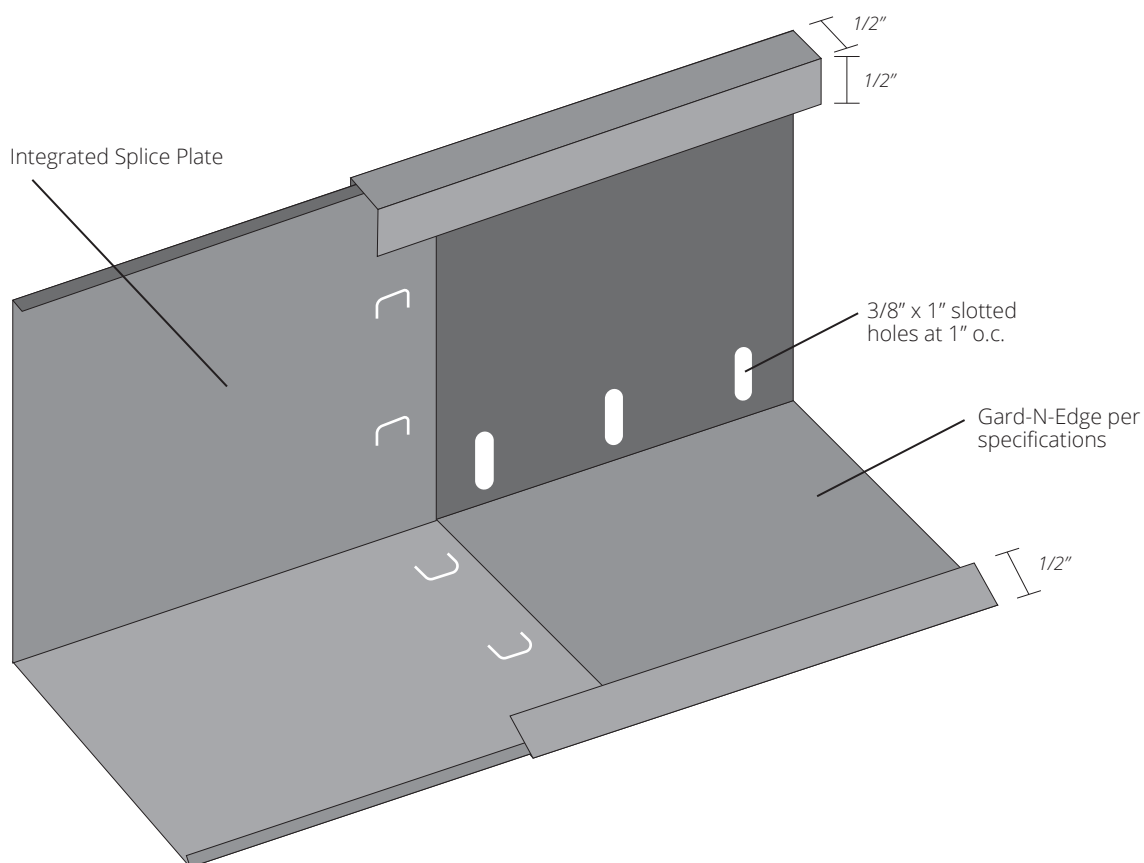
## ► INSTALLATION:

### EDGE RESTRAINT

Edge restraint is loosely laid on top of roofing system as specified and held in place by the weight of the growing media placed over it. Do not mechanically attach through roof system.

## ► STANDARD SIZES:

VERTICAL:	HORIZONTAL:
5.5"	3"
7"	4"
8"	5.5"



# LITSCO

LONG ISLAND TINSMITH SUPPLY CORP.



EST.  
1918

WWW.LITSCO.COM

76-11 88TH STREET, GLENDALE, N.Y. 11385

PHONE: 718.846.0400 | FAX: 718.846.7803