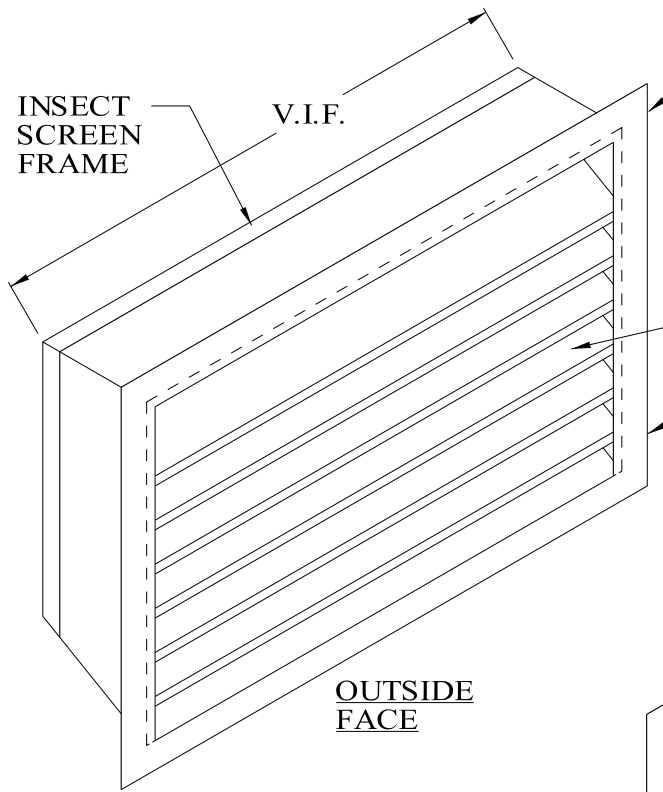


STREAMLINE® CUSTOM LOUVERS

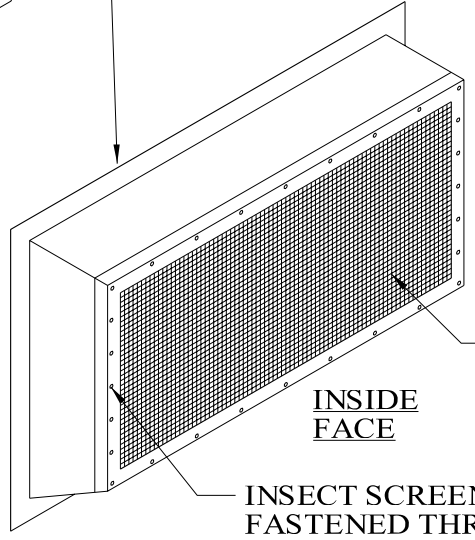


LOUVER

- * CUSTOM FABRICATION SPECIALIZING IN LARGER SIZES FOR COMMERCIAL APPLICATIONS.
- * FOR MATERIAL AVAILABILITY SEE LIST BELOW.
- * CUSTOM METAL FINISHES AVAILABLE PER SPECIFICATIONS.

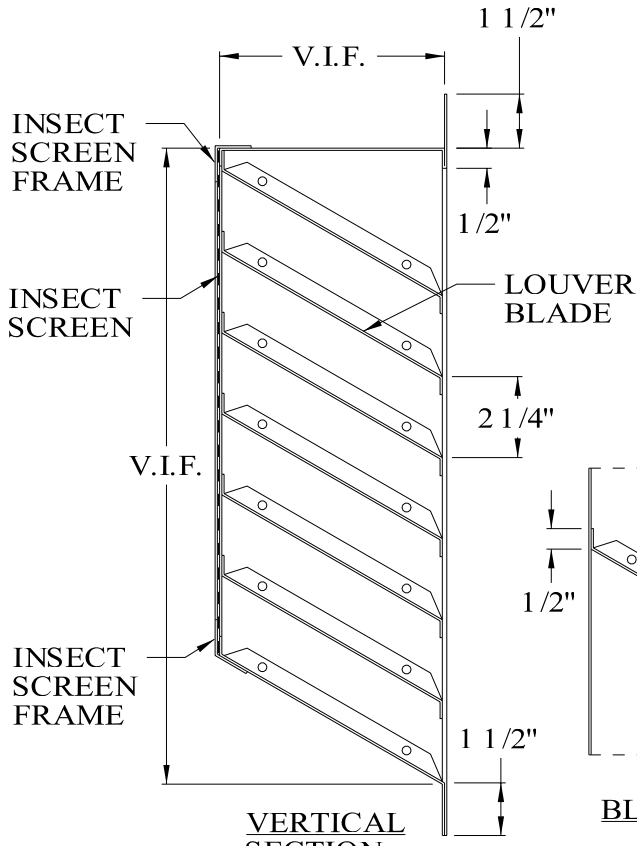
LOUVER BLADE

1 1/2" WIDE FLANGE AROUND PERIMETER OF LOUVER

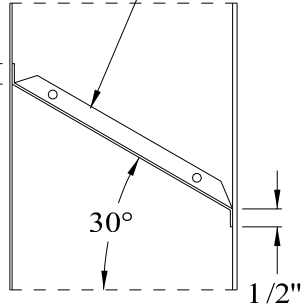


OUTSIDE FACE

INSIDE FACE



1/2" TABS ON BOTH ENDS OF EACH BLADE FASTENED TO THE SIDE OF THE LOUVER.



MATERIAL AVAILABILITY:

- * PRE-FINISHED ALUMINUM
- * COLD ROLLED COPPER
- * LEAD COATED COPPER
- * TYPE 304-2D STAINLESS STEEL
- * TERNE COATED STAINLESS STEEL
- * PRE-WEATHERED ZINC

VERTICAL SECTION

BLADE DETAIL

LITSCO

LONG ISLAND TINSMITH SUPPLY CORP.

EST. 1918

76-11 88th STREET, GLENDALE, N.Y. 11385

(718) 846-0400 FAX (718) 846-7803

WWW.LITSCO.COM