

STREAMLINE[®] PLY-TIGHT SNAP-ON FASCIA SYSTEM

SINGLE-PLY TYPE FOR EPDM, TPO, AND PVC ROOFING

FASCIA COVER

- * .040"/.050" ALUMINUM,
24 ga GALVANIZED STEEL
- * FINISH PER SPECIFICATIONS

CONCEALED SPLICE PLATE

- * .032" ALUMINUM
- * 4" WIDE

COMPRESSION CLIP

- * 26 ga GALVANIZED STEEL
- * 6" LONG
- * INSTALLED 24" O.C.

SPRING WATER DAM

- * 24 ga GALVANIZED STEEL

FASTEN 12" O.C.
W/1 1/4" GALV.
ROOF NAILS.

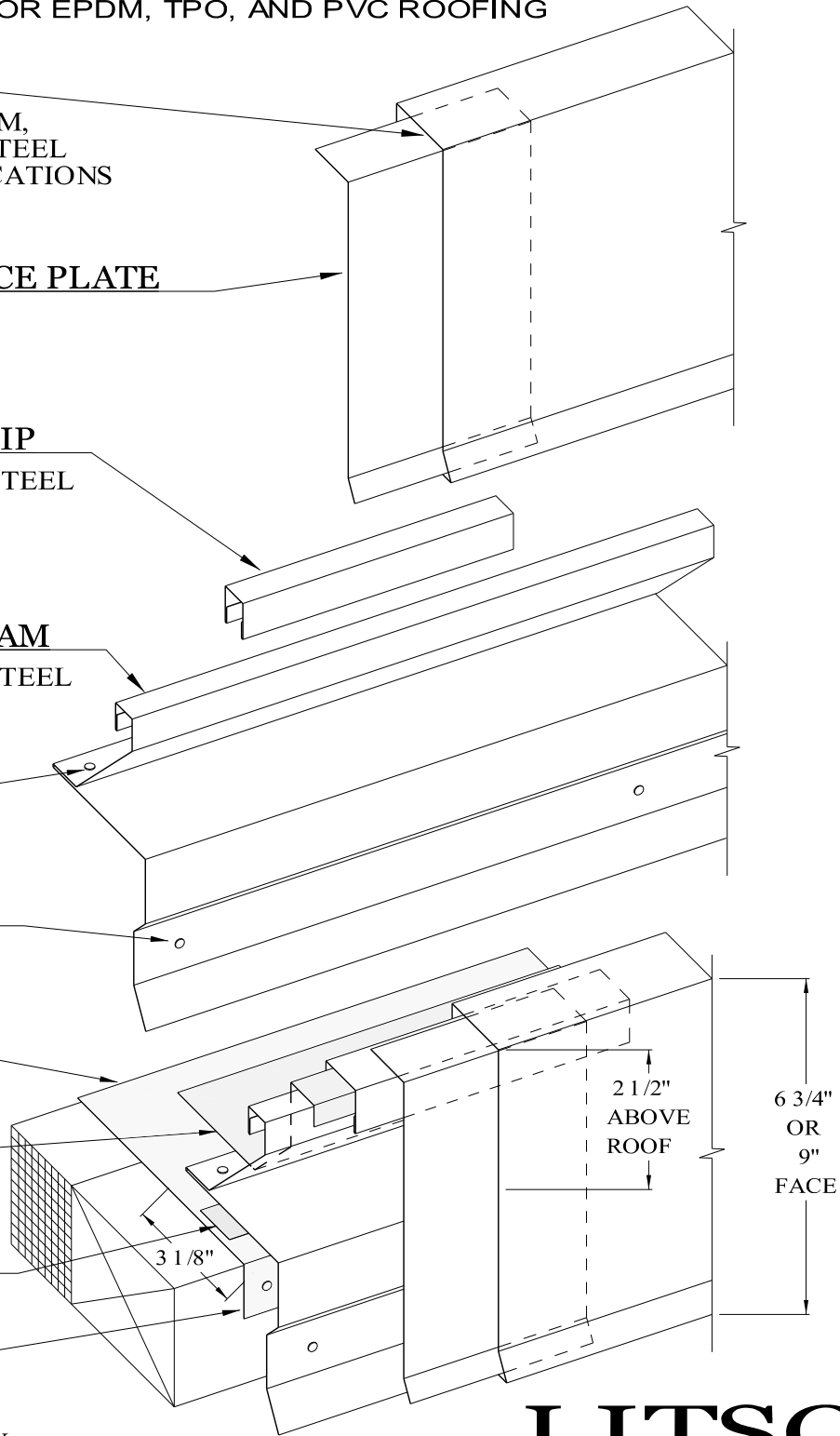
FASTEN 12" O.C.
WITH #9-16 X 1"
HEX WOOD SCREWS.

SINGLE-PLY
ROOF MEMBRANE

STRIPPED-IN
SINGLE-PLY
FLASHING

APPROVED SEALING
MASTIC

ROOF SYSTEM
NAILED 8" O.C.



MATERIAL AVAILABILITY:

- * .040" / .050" ALUMINUM
- * KYNAR PAINTED / SP ENAMEL PAINTED / CLEAR ANODIZED
- * 16 oz / 20 oz COLD ROLLED COPPER
- * 16 oz / 20 oz LEAD COATED COPPER
- * 24 ga / 26 ga TYPE 304-2D STAINLESS STEEL
- * 24 ga / 26 ga TERNE COATED STAINLESS STEEL
- * .8mm / 1mm PRE-WEATHERED ZINC

LITSCO

LITSCO INDUSTRIES LLC

EST. 1918

76-11 88th STREET, GLENDALE, N.Y. 11385

(718) 846-0400 FAX (718) 846-7803

WWW.LITSCO.COM