

STREAMLINE® FLATWALL SM

FLAT SEAM, CONCEALED FASTENER, OVERLAPPING METAL WALL PANEL

OVERVIEW:

LITSCO's Streamline FlatWall SM panel is an overlapping metal panel which is installed to provide a shingle effect which is also an excellent design for shedding water.

► MATERIALS: **Actual colors may vary from this representation*

KYNAR PAINTED ALUMINUM (AL) .040" OR GALVANIZED (GL) 24 GA

2 Coat Kynar Finish is Standard. A full list of all standard, premium colors, 3 coat, and custom colors is available upon request. Finish warranties of 20 years available.

**Popular colors listed, Additional Colors may be available*

ALMOND SR 040 ALUMINUM 24 GA GALVANIZED	SANDSTONE SR 040 ALUMINUM 24 GA GALVANIZED	DARK BRONZE SR 040 ALUMINUM 24 GA GALVANIZED
BONE WHITE SR 040 ALUMINUM 24 GA GALVANIZED	SLATE GRAY 040 ALUMINUM 24 GA GALVANIZED	CHARCOAL GRAY 040 ALUMINUM 24 GA GALVANIZED
COPPER (CP) 20 OZ		
RED ROLLED	FREEDOM GRAY	AURUBIS NORDIC PATINA
STAINLESS STEEL (SS) 24 GA	RHEINZINK-PATINA ZINC (ZN) 0.8 MM & 1.0 MM	
	BLUE-GRAY	GRAPHITE-GRAY

► TYPICAL STANDARD PANEL SIZE GUIDE:

RECTANGULAR	DIAMOND
-------------	---------

COPPER:
16.5" x 22.5"
16.5" x 58.5"
16.5" x 118.5"

16.5" x 16.5"
22.5" x 22.5"

RECTANGULAR

ZINC:
18" x 22.5"
18" x 58.5"
18" x 118.5"

DIAMOND

18" x 18"

STAINLESS, ALUMINUM, GALVANIZED:
14.5" x 22.5"
14.5" x 58.5"
14.5" x 118.5"

14.5" x 14.5"
22.5" x 22.5"

► **FEATURES:**

Clip provides solid fastening to a variety of flat substrates. Rectangle, square & diamond shapes can be installed vertically or horizontally, and on curved surfaces.

► **TESTING:**

ASTM E330 -
Load Structural
Load Deflection

► **INSTALLATION:**

TRIM:

All flashing and trim will be fabricated by LITSCO or a qualified fabricator. Flashing shall be .040" aluminum or 24 GA steel.

SUBSTRATES:

Panels can be installed directly to a variety of substrates, which allow for proper tapping of threaded or nailed fastener.

FASTENERS:

#12 pancake self-drilling stainless steel for metal substrate.

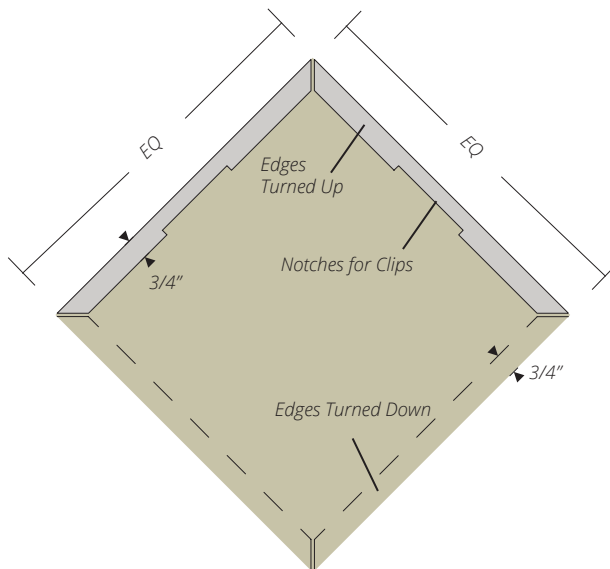
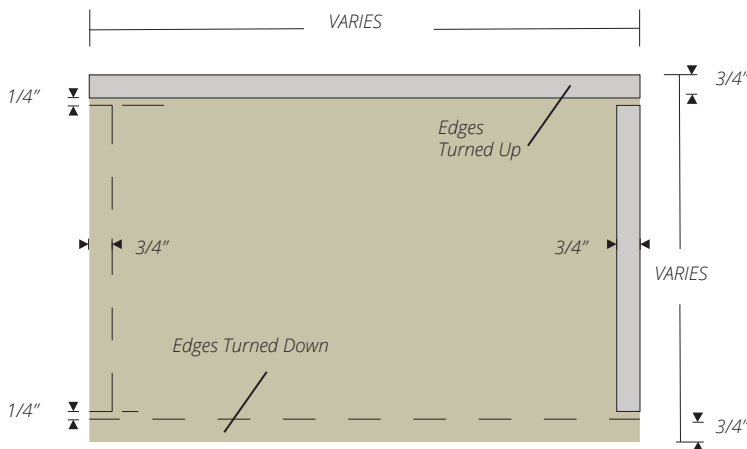
PANELS:

Start from corner location and install sideways first, then work upward.

MAY BE INSTALLED WITH STAGGERED OR STRAIGHT LINE SEAMS.

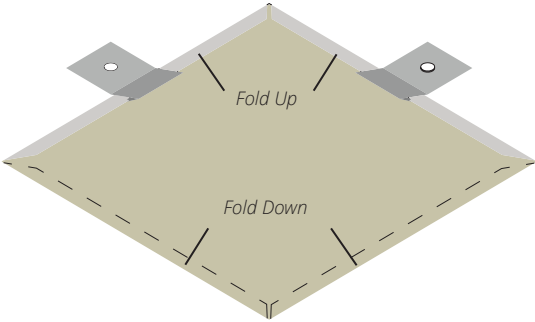
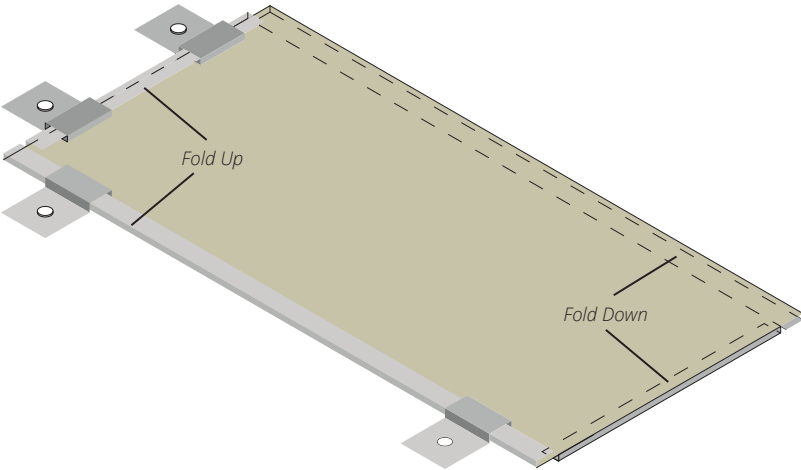
NO SOLDERING OR FLATTENING OR SEAMS REQUIRED IN FIELD

**Always follow manufacturer's guidelines for proper storage and handling prior to install.*

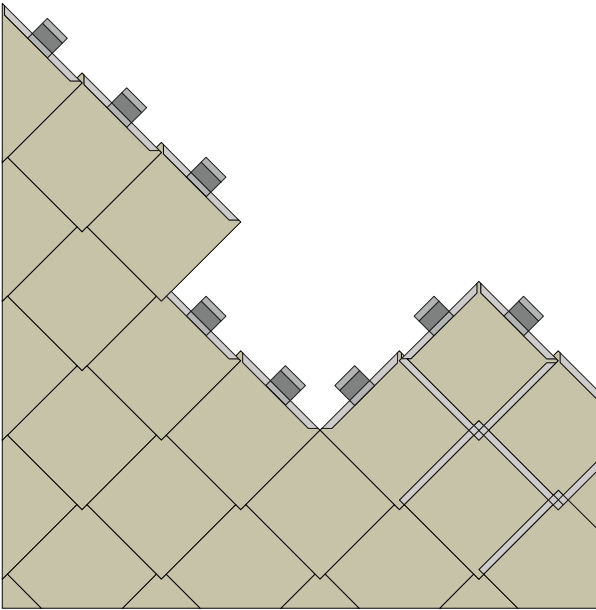


SEAM DETAIL

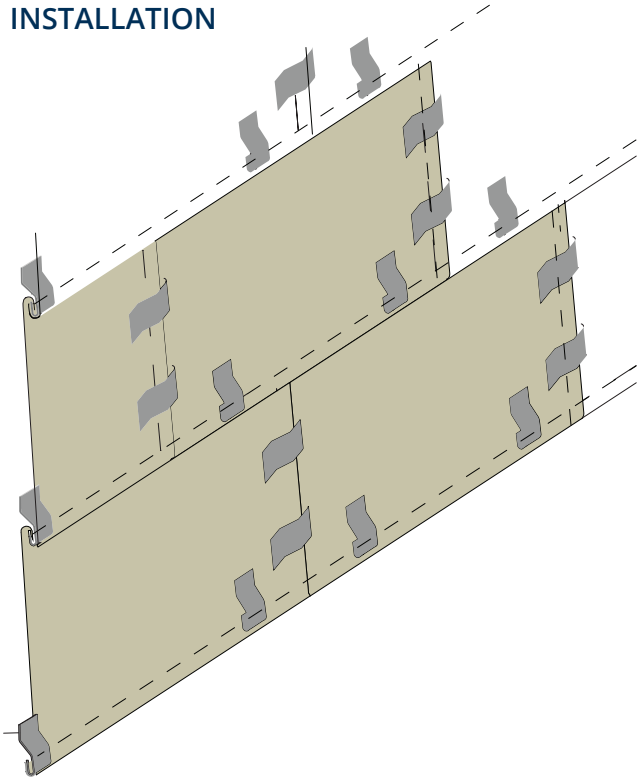




TYPICAL DIAMOND SHAPE PANEL INSTALLATION



TYPICAL RECTANGULAR PANEL INSTALLATION



LITSCO

LONG ISLAND TINSMITH SUPPLY CORP.



EST.
1918

WWW.LITSCO.COM

76-11 88TH STREET, GLENDALE, N.Y. 11385

PHONE: 718.846.0400 | FAX: 718.846.7803