

STREAMLINE® OMNIWALL-CL

CLIP & CONCEALED FASTENER, HEAVY DUTY RAINSCREEN PANEL

OVERVIEW:

LITSCO's OmniWall CL panel is heavy duty clip mounted panel to offering a cost effective alternate aluminum to plate and ACM rainscreen systems. The pre-installed clips create fast installation to substrate, ideal for slab cover and shadow box applications.

▶ TYPICAL STANDARD PANEL SIZE GUIDE:

22" x 22"	46" x 46"
22" x 44"	46" x 58"
22" x 118"	46" x 94"

*Custom to meet building lines

▶ TESTING:

ASTM E330 -	ASTM E331 -
Load Structural	Water Penetration
Load Deflection	

▶ MATERIALS:

KYNAR PAINTED ALUMINUM (AL)

2 Coat Kynar Finish is Standard. A full list of all standard, premium colors, 3 coat, and custom colors is available upon request. Finish warranties of 20 years available.

*Popular colors listed, Additional Colors may be available

BONE WHITE SR 063 ALUMINUM
SANDSTONE SR 063 ALUMINUM
SILVER METALLIC 063 ALUMINUM
MATTE BLACK 063 ALUMINUM
DARK BRONZE SR 063 ALUMINUM
CUSTOM PAINTED KYNAR COLORS IN .080" OR .090" THICKNESS

*Actual colors may vary from this representation

FEATURES:

Vertical or horizontal panel orientation allows this panel to fit to your design requirements.

Heavier gauge materials result in a stronger panel. Standard panels sizes in both small and large modules.

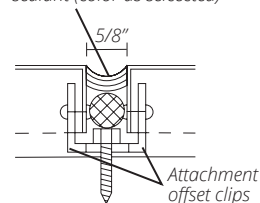
Properly sealed joints provide full protection against water infiltration.

ASTM E330, E331 tested for structural integrity and ASTM E283 tested for water infiltration resistance.

TYPICAL JOINT DETAIL

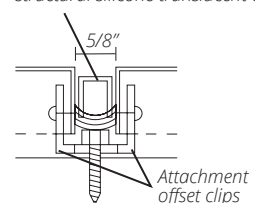
WITH EXPOSED SEALANT

Backer rod & structural silicone sealant (color as selected)

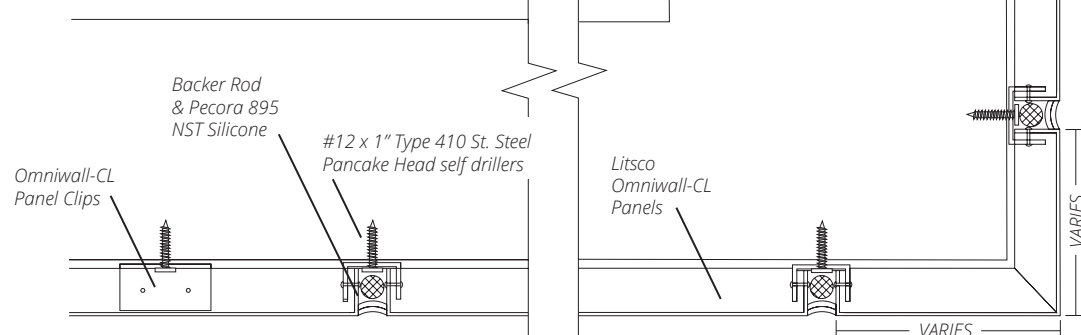


WITH REVEAL CAP

.040" Aluminum painted reveal cap set in structural silicone translucent caulking



PANEL JOINT (WITH SUBGIRT SYSTEM)



► **INSTALLATION:**

TRIM:

All flashing and trim will be fabricated by LITSCO or a qualified fabricator. Flashing shall be .032"-.040" aluminum or 24 GA steel.

FASTENERS:

#12 hex head, self-drilling stainless steel fastener with neoprene washer.

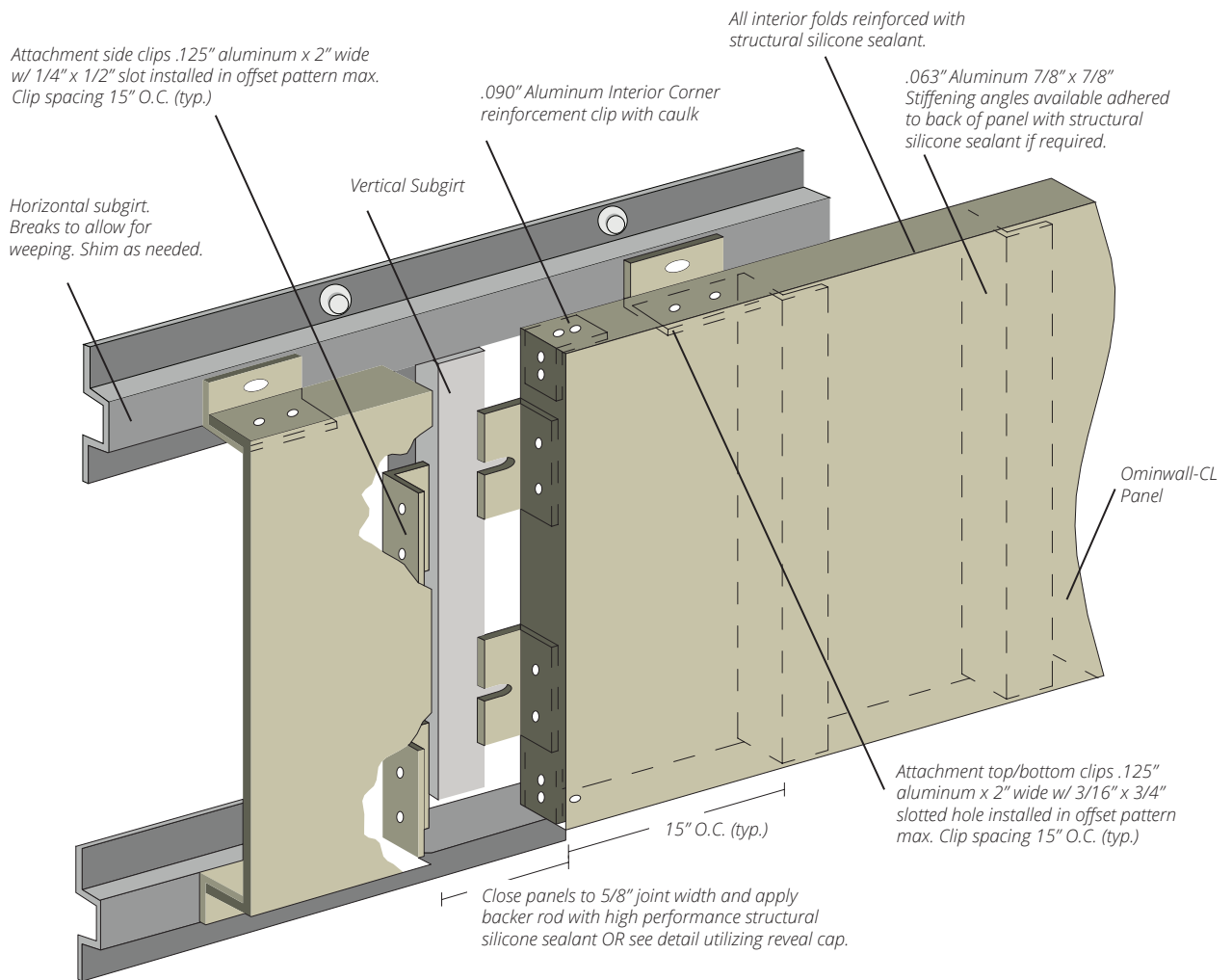
SUBGIRTS:

Streamline OmniWall CL panels are intended to be installed directly onto 18 GA (1/2") deep galvanized steel subgirts. Maximum spacing 30" O.C.

PANELS:

Set panel direct to subgirt, set joint to 5/8" wide, set backer rod and caulk joint with high performance Pecora silicone sealant.

**Always follow manufacturer's guidelines for proper storage and handling prior to install.*



LITSCO

LONG ISLAND TINSMITH SUPPLY CORP.



EST. 1918

WWW.LITSCO.COM

76-11 88TH STREET, GLENDALE, N.Y. 11385

PHONE: 718.846.0400 | FAX: 718.846.7803